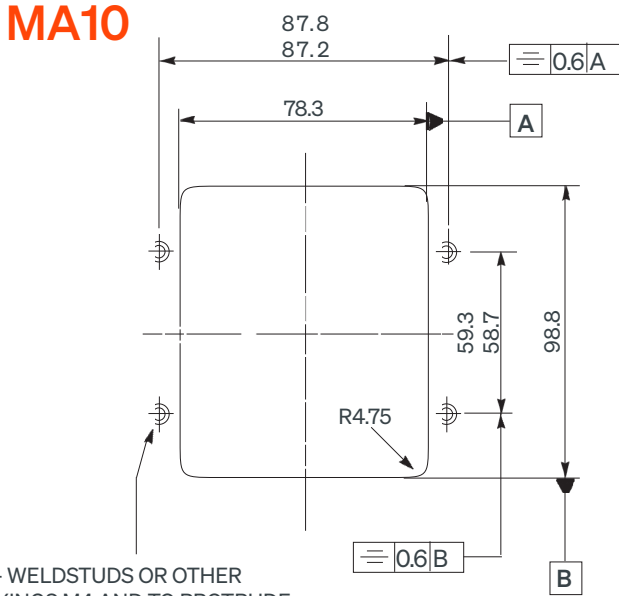


Keypads

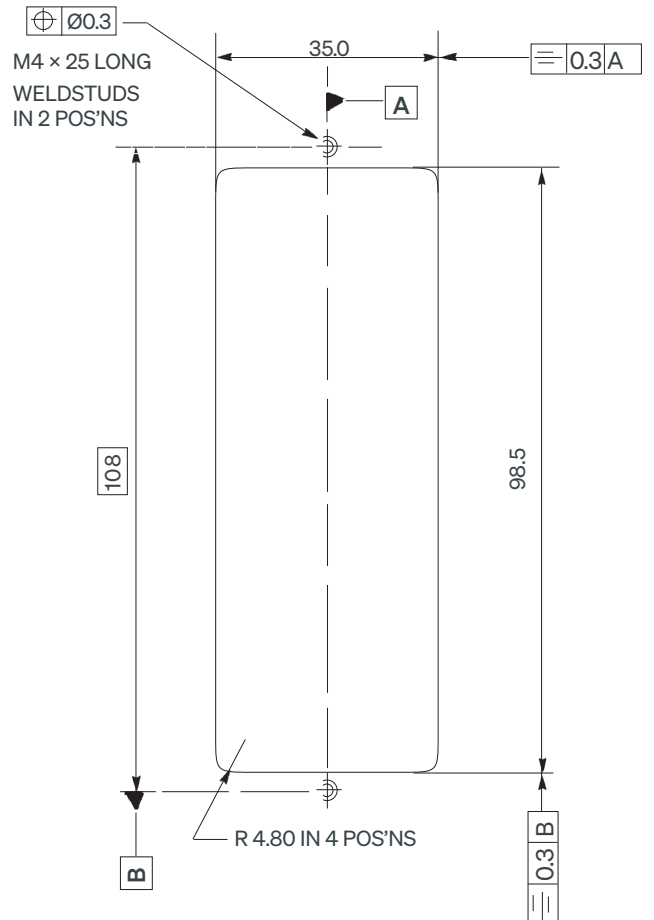
MA Cut Out and Stud Positions

This information is for guidance only and is not intended to form the basis for contract. All dimensions in mm.



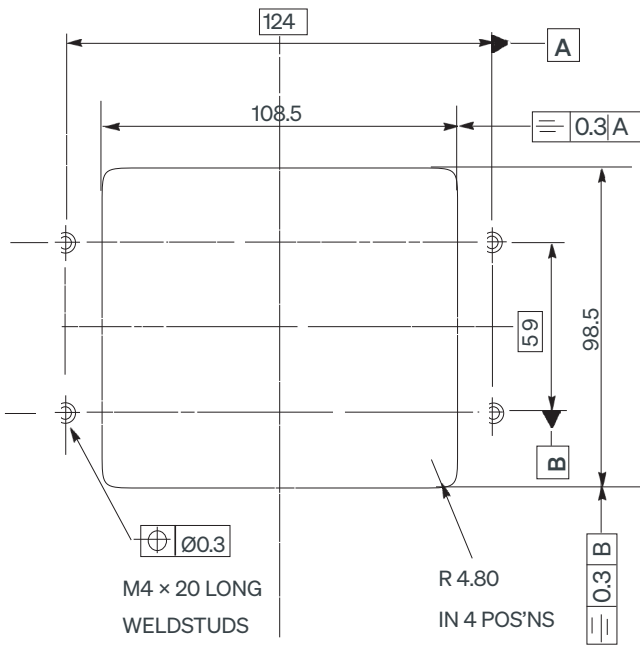
4 - WELDSTUDS OR OTHER FIXINGS M4 AND TO PROTRUDE 20mm FROM REAR OF FACEPLATE

MA12



M4 x 25 LONG WELDSTUDS IN 2 POS'NS

MA11



M4 x 20 LONG WELDSTUDS IN 4 POS'NS