

US97 Rail Multi-Sounder

The US97 Rail Multi-Sounder has been designed with a clean timeless appearance. It has been designed according to the guidelines of the Rail Vehicle Accessibility Regulations and can produce all the sound options as required by RVAR.



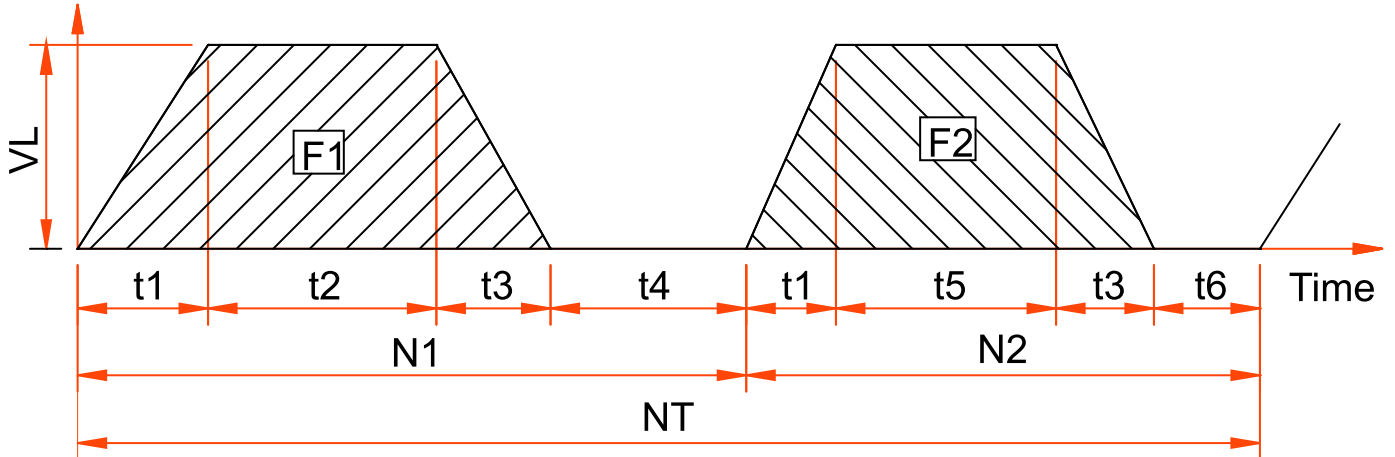
Features & Benefits

- Meets the requirements of the Rail Vehicle Accessibility Regulations (RVAR)
- Vandal resistant and weatherproof
- Front or rear mounting
- Moulding in high grade polycarbonate
- Meets (EN60529) IP66 and IP67 (front and rear)
- Designed specifically for the rail industry
- Cost effective solution for passenger controls

Sounder Tone Options

- Standard set tone pre-programmed (Doors Opening, Doors About to Close etc.)
- Other tone options are available on request.

Volume



F1 = Frequency 1 of a tone sequence

F2 = Frequency 2 of a tone sequence

N1 = Number of repetitions of tone 1

N2 = Number of repetitions of tone 2

NT = Number of repetitions of the complete tone sequence

t1 = Fade-in time for tone 1 and tone 2

t2 = Playing time of tone 1

t3 = Fade-out time for tone 1 and tone 2

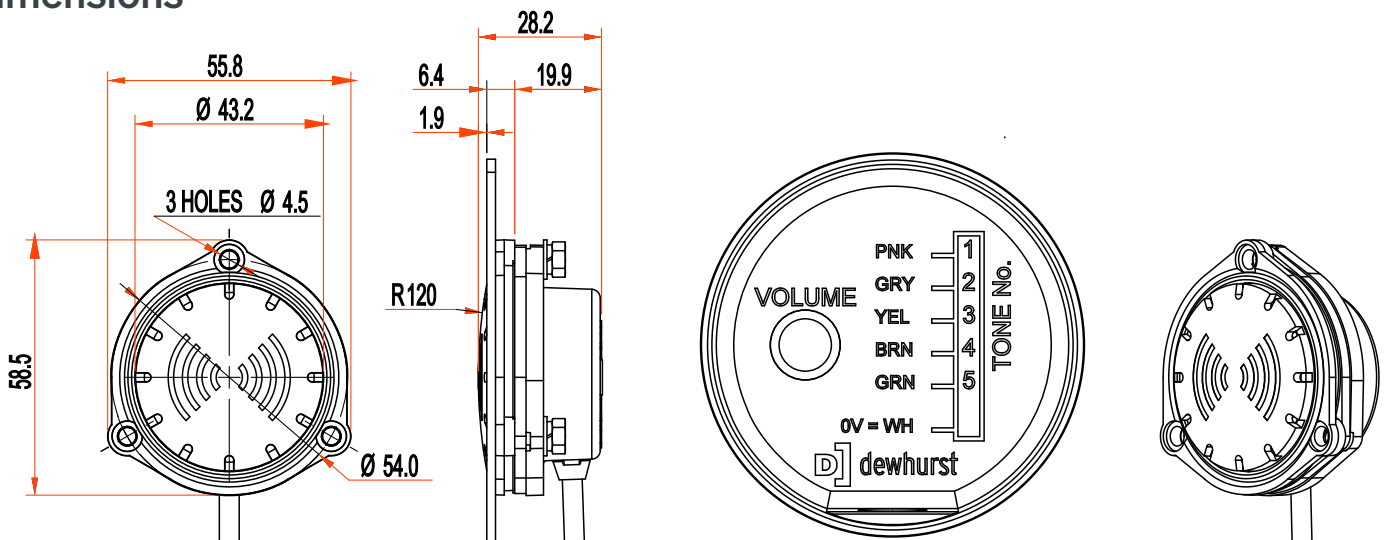
t4 = Time between F1 and F2 (if F2 is used)

t5 = Playing time of tone 2

t6 = Time between F2 (if F2 is used) and F1 of next tone sequence

VL = Volume level

Dimensions



Technical Details

Mechanical characteristics

Weight:	31grms
Indicator size:	55.8mm w x 58.5mm h x 27.7mm d (without bezel)
Connection method:	Cable 6 core (2 used), wire cross section 0.14mm ²
Cable length & connectors:	300mm (standard) option available for other cable lengths and connectors

Material

Body and front moulded in:	High grade polycarbonate (PC) UL94 (VO)
Connection cable:	Polyurethane (PUR), halogen free

Electrical characteristics

Nominal current:	<25 mA
Nominal voltage:	24V d.c. ±15%

Environmental characteristics

Vandal resistant, suitable for internal or external use	
Storage temperature:	-45°C to +90°C
Operating temperature:	-40°C to +80°C
IP Rating:	IP66 & IP67 (front and rear) protection

Acoustic characteristics

Each sounder is pre-programmed with a standard set of tones. Each tone controlled by a separate wire (5 + 1 common). Other tones can be programmed if required. The volume of the tones can be adjusted in five step levels, each step 6dB.

One tone sequence consists of:	Two frequencies at any duration Can be repeated (continuous) or one sequence only
Frequency range:	500 to 3000Hz ± 1%
Sound level max:	90dB ± 5dB @ 10cm @ 1kHz

Standards & Approvals

Standards:	EN50155, EN55022 (EMC)
Approvals:	Declaration of Conformity - CE, RoHS

Cutout, Stud and Hole Positions

