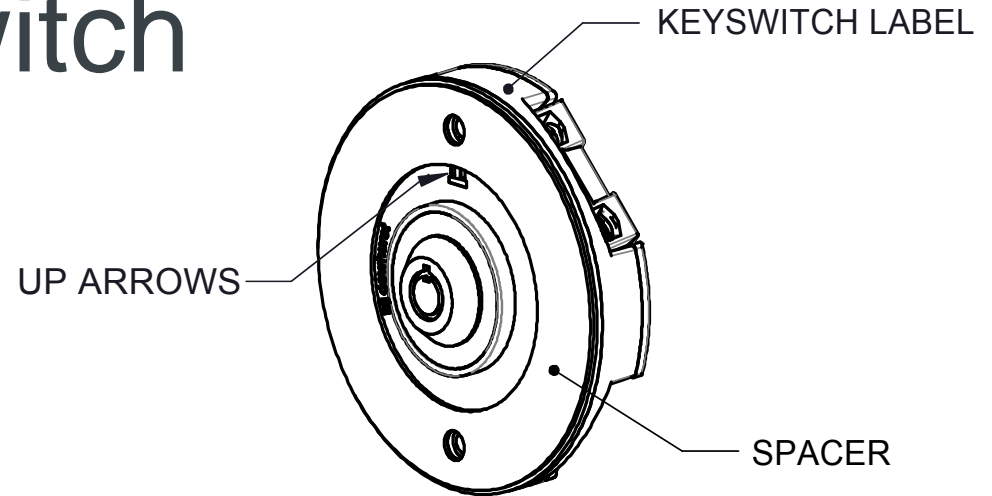


Low Profile Key Switch Installation Guide

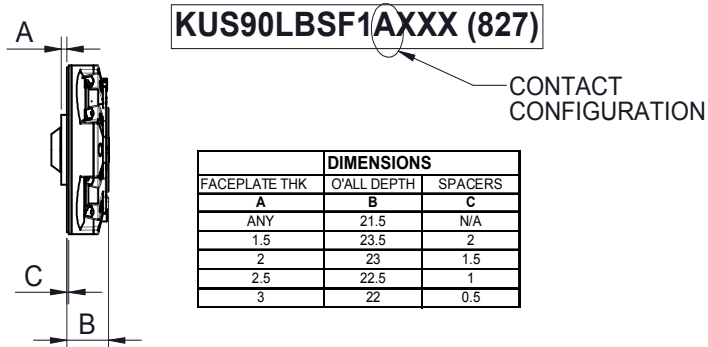


NOTE: WHEN THERE IS MORE THAN ONE KEYSWITCH IN A ROW THEY MAY REQUIRE WIRING BEFORE FIXING TO THE FACEPLATE.

- 1) SPACERS ARE NOT REQUIRED ON THE M20 VERSION
- 2) SPACERS ON THE C2 VERSION ARE AS FOLLOWS (IF FLUSH SURROUND/FACEPLATE IS REQUIRED)

FACEPLATE THICKNESS	SPACERS REQUIRED	PART NO
2mm	1.0mm & 0.5mm	1.0mm 551310-020112001
3mm	0.5mm	0.5mm 551310-020113001

- 3) WHEN ASSEMBLING KEYSWITCH TO FACEPLATE ENSURE UP ARROWS ARE TO THE TOP
- 4) ASSEMBLE FIXING NUTS TO A TORQUE OF 1Nm
- 5) WIRE KEYSWITCH AS REQUIRED (REFER TO CONTACT CONFIGURATION DIAGRAM ON REAR) TERMINALS SHOULD BE TIGHTENED TO 0.8Nm, MAX WIRE GAUGE 2 x 2.5mm



A	KEY POSITION			
CONTACT	0°	90°	180°	270°
1-2	O	C	-	-
3-4	O	C	-	-
-	-	-	-	-
MOVEMENT 90°				

I	KEY POSITION			
CONTACT	0°	90°	180°	270°
1-2	O	C	-	O
3-4	C	O	-	C
5-6	O	O	-	C
7-8	C	C	-	O
MOVEMENT 180°				

P	KEY POSITION			
CONTACT	0°	45°	180°	270°
1-2	O	C	-	-
3-4	O	C	-	-
-	-	-	-	-
SPRING RETURN TO 0°				

S	KEY POSITION			
CONTACT	0°	45°	270°	315°
1-2	O	C	-	O
3-4	O	C	-	O
5-6	O	O	-	C
7-8	O	O	-	C
SPRING RETURN TO 0°				

C	KEY POSITION			
CONTACT	0°	90°	180°	270°
1-2	O	C	-	-
3-4	C	O	-	-
5-6	O	C	-	-
7-8	C	O	-	-
MOVEMENT 90°				

J	KEY POSITION			
CONTACT	0°	90°	180°	270°
1-2	O	C	-	O
3-4	O	C	-	O
5-6	O	O	-	C
7-8	O	O	-	C
MOVEMENT 180°				

Q	KEY POSITION			
CONTACT	0°	45°	180°	270°
1-2	O	C	-	-
3-4	C	O	-	-
-	-	-	-	-
SPRING RETURN TO 0°				

T	KEY POSITION			
CONTACT	0°	90°	180°	270°
1-2	C	O	-	O
3-4	O	C	-	O
5-6	O	O	-	C
-	-	-	-	-
MOVEMENT 180°				

Key
CONTACT = Contact block terminal numbers
O = Open
C = Closed