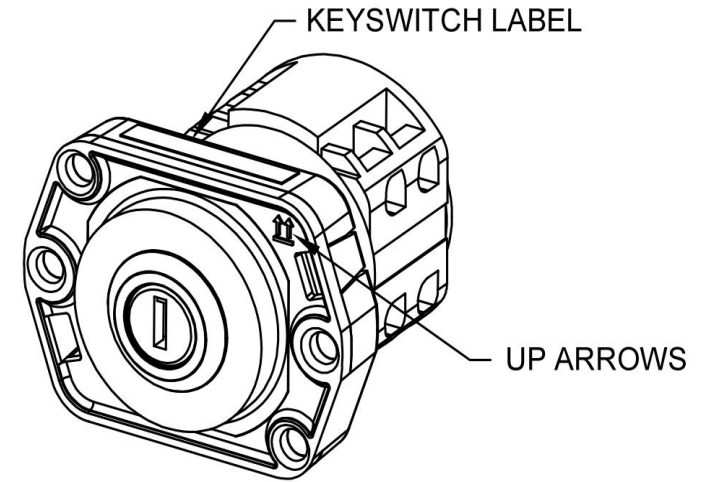


Low Profile Key Switch Installation Guide



NOTE: WHEN THERE IS MORE THAN ONE KEYSWITCH IN A ROW THEY MAY REQUIRE WIRING BEFORE FIXING TO THE FACEPLATE

1) SPACERS INCLUDED ARE FOR USE AS FOLLOWS:

| FACEPLATE THICKNESS | SPACERS REQUIRED |
|---------------------|------------------|
| 2.5mm | 1.5mm & 0.5mm |
| 3mm | 1.5mm |
| 4.5mm | NONE |

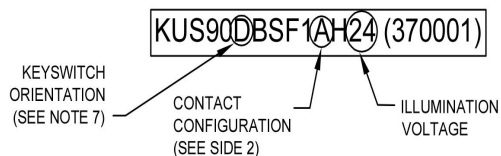
2) WHEN ASSEMBLING KEYSWITCH TO FACEPLATE ENSURE UP ARROWS ARE TO THE TOP

3) ASSEMBLE FIXING NUTS TO A TORQUE OF 1Nm USING A NUT DRIVER

4) WIRE KEYSWITCH AS REQUIRED (REFER TO CONTACT CONFIGURATION DIAGRAM ON REAR) TERMINALS SHOULD BE TIGHTENED TO 0.8 Nm, MAX WIRE GAUGE 2x2.5mm²

5) ILLUMINATION CAN BE CONNECTED EITHER WAY

6) ILLUMINATION VOLTAGE AND SWITCH CONTACT CONFIGURATIONS ARE SHOWN ON KEYSWITCH LABEL AS BELOW



7) FOR ROTATED KEYSWITCH FIXINGS ARE NORTH/SOUTH (ARROWS ON BODY SHOULD BE TO THE RIGHT):
STANDARD - D
ROTATED - R

| A KEY POSITION | | | | |
|----------------|----|-----|------|------|
| CONTACT | 0° | 90° | 180° | 270° |
| 1-2 | O | C | - | - |
| 3-4 | O | C | - | - |
| - | - | - | - | - |
| - | - | - | - | - |

MOVEMENT 90°

| C KEY POSITION | | | | |
|----------------|----|-----|------|------|
| CONTACT | 0° | 90° | 180° | 270° |
| 1-2 | O | C | - | - |
| 3-4 | C | O | - | - |
| 5-6 | O | C | - | - |
| 7-8 | C | O | - | - |

MOVEMENT 90°

| D KEY POSITION | | | | |
|----------------|----|-----|------|------|
| CONTACT | 0° | 90° | 180° | 270° |
| 1-2 | O | - | - | C |
| 3-4 | O | - | - | C |
| - | - | - | - | - |
| - | - | - | - | - |

MOVEMENT 90°

| G KEY POSITION | | | | |
|----------------|----|-----|------|------|
| CONTACT | 0° | 90° | 180° | 270° |
| 1-2 | O | C | - | O |
| 3-4 | O | O | - | C |
| - | - | - | - | - |
| - | - | - | - | - |

MOVEMENT 180°

| I KEY POSITION | | | | |
|----------------|----|-----|------|------|
| CONTACT | 0° | 90° | 180° | 270° |
| 1-2 | O | C | - | O |
| 3-4 | C | O | - | C |
| 5-6 | O | O | - | C |
| 7-8 | C | C | - | O |

MOVEMENT 180°

| J KEY POSITION | | | | |
|----------------|----|-----|------|------|
| CONTACT | 0° | 90° | 180° | 270° |
| 1-2 | O | C | - | O |
| 3-4 | O | C | - | O |
| 5-6 | O | O | - | C |
| 7-8 | O | O | - | C |

MOVEMENT 180°

| P KEY POSITION | | | | |
|----------------|----|-----|------|------|
| CONTACT | 0° | 45° | 180° | 270° |
| 1-2 | O | C | - | - |
| 3-4 | O | C | - | - |
| - | - | - | - | - |
| - | - | - | - | - |

SPRING RETURN TO 0°

| Q KEY POSITION | | | | |
|----------------|----|-----|------|------|
| CONTACT | 0° | 45° | 180° | 270° |
| 1-2 | O | C | - | - |
| 3-4 | C | O | - | - |
| - | - | - | - | - |
| - | - | - | - | - |

SPRING RETURN TO 0°

| S KEY POSITION | | | | |
|----------------|----|-----|------|------|
| CONTACT | 0° | 45° | 270° | 315° |
| 1-2 | O | C | - | O |
| 3-4 | O | C | - | O |
| 5-6 | O | O | - | C |
| 7-8 | O | O | - | C |

SPRING RETURN TO 0°

| T KEY POSITION | | | | |
|----------------|----|-----|------|------|
| CONTACT | 0° | 90° | 180° | 270° |
| 1-2 | C | O | - | O |
| 3-4 | O | C | - | O |
| 5-6 | O | O | - | C |
| - | - | - | - | - |

MOVEMENT 180°

| Z KEY POSITION | | | | |
|----------------|----|-----|------|------|
| CONTACT | 0° | 90° | 180° | 270° |
| 1-2 | C | O | - | - |
| 3-4 | O | C | - | - |
| - | - | - | - | - |
| - | - | - | - | - |

MOVEMENT 90°

| AA KEY POSITION | | | | |
|-----------------|----|-----|------|------|
| CONTACT | 0° | 90° | 180° | 270° |
| 1-2 | C | O | - | - |
| 3-4 | O | C | - | - |
| 5-6 | C | O | - | - |
| 7-8 | O | C | - | - |

MOVEMENT 90°

| AB KEY POSITION | | | | |
|-----------------|----|-----|------|------|
| CONTACT | 0° | 90° | 180° | 270° |
| 1-2 | O | C | C | - |
| 3-4 | O | O | C | - |
| - | - | - | - | - |
| - | - | - | - | - |

MOVEMENT 90°-180°

| AC KEY POSITION | | | | |
|-----------------|----|-----|------|------|
| CONTACT | 0° | 90° | 180° | 270° |
| 1-2 | O | O | - | C |
| 3-4 | C | O | - | O |
| - | O | C | - | O |
| - | C | C | - | Ov |

MOVEMENT 180°

| AD KEY POSITION | | | | |
|-----------------|------|---|----|-----|
| CONTACT | 330° | - | 0° | 30° |
| 1-2 | O | - | O | - |
| 3-4 | C | - | O | - |
| 5-6 | O | - | O | - |
| 7-8 | C | - | O | - |
| 9-10 | O | - | O | - |
| 11-12 | C | - | C | - |

MOVEMENT 60°

| AF KEY POSITION | | | | |
|-----------------|----|-----|---|---|
| CONTACT | 0° | 30° | - | - |
| 1-2 | O | C | - | - |
| 3-4 | O | C | - | - |
| 5-6 | - | - | - | - |
| 7-8 | - | - | - | - |

MOVEMENT 30°

| AH KEY POSITION | | | | |
|-----------------|----|-----|---|---|
| CONTACT | 0° | 45° | - | - |
| 1-2 | O | C | - | - |
| 3-4 | C | O | - | - |
| 5-6 | O | C | - | - |
| 7-8 | C | O | - | - |

SPRING RETURN TO 0°

| AJ KEY POSITION | | | | |
|-----------------|----|-----|-----|------|
| CONTACT | 0° | 45° | 90° | 135° |
| 1-2 | C | O | O | O |
| 3-4 | O | O | O | O |
| 5-6 | O | C | O | O |
| 7-8 | O | O | O | O |
| 9-10 | O | O | C | O |
| 11-12 | O | O | O | O |
| 13-14 | O | O | C | O |
| 15-16 | O | O | O | O |

MOVEMENT 180°

| AK KEY POSITION | | | | |
|-----------------|----|-----|-----|------|
| CONTACT | 0° | 45° | 90° | 135° |
| 1-2 | C | O | O | O |
| 3-4 | C | O | O | O |
| 5-6 | O | C | O | O |
| 7-8 | O | O | O | O |
| 9-10 | O | O | C | O |
| 11-12 | O | O | O | O |
| 13-14 | O | O | C | O |
| 15-16 | O | O | O | O |

MOVEMENT 225°

| AL KEY POSITION | | | | |
|-----------------|----|-----|-----|------|
| CONTACT | 0° | 45° | 90° | 135° |
| 1-2 | C | O | O | O |
| 3-4 | O | O | O | O |
| 5-6 | O | C | O | O |
| 7-8 | O | O | O | O |
| 9-10 | O | O | C | O |
| 11-12 | O | O | O | O |
| 13-14 | O | O | C | O |
| 15-16 | O | O | O | O |

MOVEMENT 270°