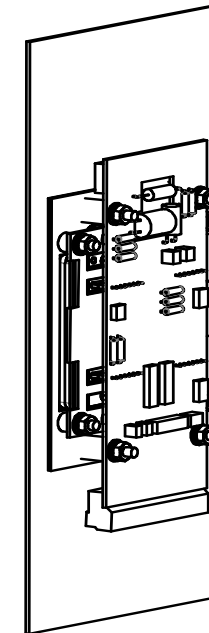
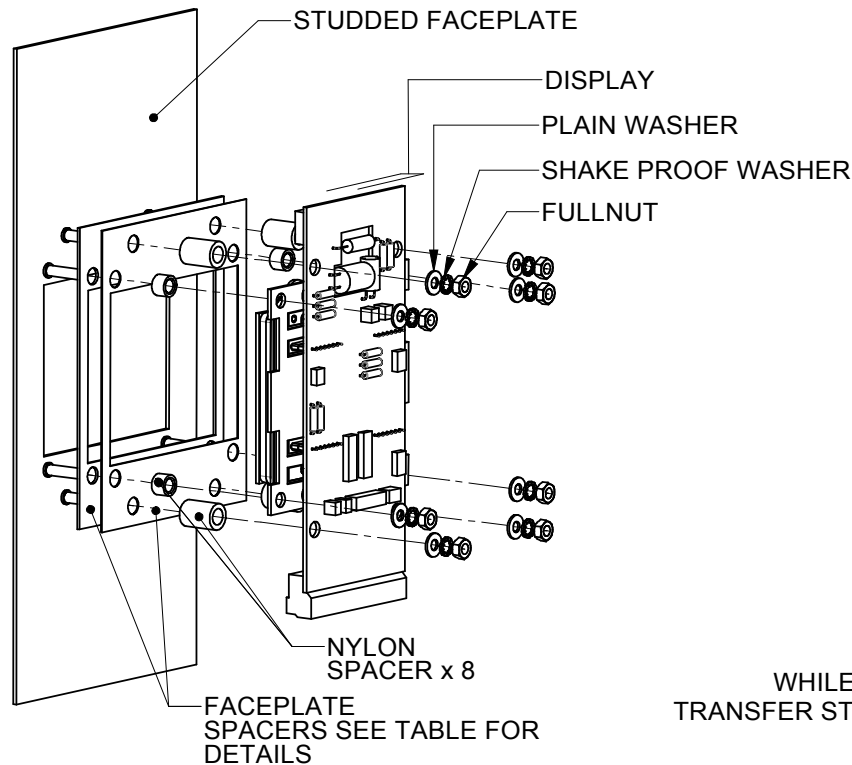


VRS52 Vertical Installation Guide

ASSEMBLY INSTRUCTIONS:

1. CUT AND REMOVE CABLE TIES FROM THE BAGGED DISPLAY.
2. REMOVE THE FACEPLATE SPACERS FROM THE ASSEMBLY AND PLACE OVER THE WELDSTUDS ON THE FACEPLATE REFER TO TABLE FOR INFORMATION ON THE AMOUNT OF SPACERS TO BE USED.
3. OPEN BAG OF FIXINGS AND FIT THE NYLON SPACERS IN A CONFIGURATION AS SHOWN ON THE DRAWING.
4. FIT THE DISPLAY ON TO THE FACEPLATE.
5. ENSURE THAT THE LED BLOCKS ARE FLUSH WITH THE FACEPLATE AND EVENLY SPACED WITHIN THE CUTOUT.
6. FIX USING THE FIXINGS PROVIDED, FIX THE LED BLOCK NUTS BEFORE FIXING THE DISPLAY ONES.

FACEPLATE SPACER ALLOCATION		
FACEPLATE THICKNESS	0.5mm THICK CLEAR SPACER	1.0mm THICK WHITE SPACER
3.0mm	x	x
2.5mm	✓	x
2.0mm	x	✓
1.5mm	✓	✓



INSTALLED DISPLAY

WHILE INSTALLING BE CAREFUL NOT TO TRANSFER STATIC CHARGES TO THE DEVICE AS IT MAY CAUSE FAILURE.